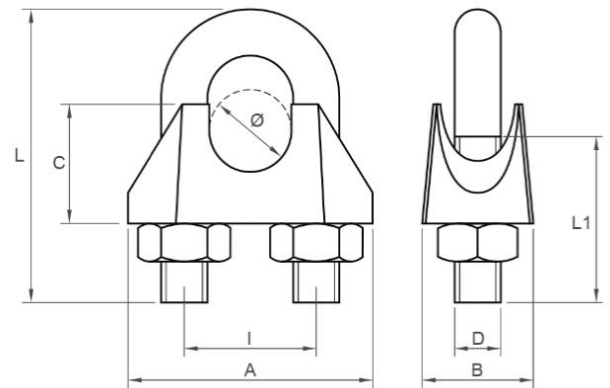




DIN 741

SUJETACABLES ZINCADO
REF.: 6993200



| METRICA | 03- 03,0/M- 04 | 05- 05,0/M- 05 | 06- 06,5/M- 05 | 08- 08,0/M- 06 | 10- 10,0/M- 08 | 11- 11,0/M- 08 | 12- 13,0/M- 10 | 14- 14,0/M- 10 | 16- 16,0/M- 12 | 20- 20,0/M- 12 | 22- 22,0/M- 14 | 26- 26,0/M- 14 | 30- 30,0/M- 16 | 34- 34,0/M- 16 | 40- 40,0/M- 16 |
|---------|----------------------|----------------------|----------------------|----------------------|----------------------|----------------------|----------------------|----------------------|----------------------|----------------------|----------------------|----------------------|----------------------|----------------------|----------------------|
| L1 | 20 | 24 | 28 | 34 | 42 | 44 | 55 | 57 | 63 | 75 | 85 | 95 | 110 | 118 | 120 |
| L2 | 12 | 13 | 15 | 19 | 22 | 22 | 30 | 30 | 33 | 38 | 44 | 45 | 50 | 50 | 55 |
| A | 21 | 24 | 26 | 30 | 37 | 38 | 44 | 46 | 52 | 58 | 64 | 68 | 80 | 80 | 88 |
| B | 10 | 11 | 12 | 14 | 20 | 20 | 25 | 25 | 28 | 32 | 35 | 38 | 40 | 40 | 45 |
| C | 10 | 10 | 11 | 15 | 19 | 20 | 23 | 25 | 28 | 34 | 35 | 38 | 45 | 45 | 52 |
| D | M 4 | M 5 | M 5 | M 6 | M 8 | M 8 | M 10 | M 10 | M 12 | M 12 | M 14 | M 14 | M 16 | M 16 | M 16 |