

# Technical data sheet

<b>Title</b>	Tensioner
<b>Standard</b>	DIN 1480

## 1.- Purpose and field of application.

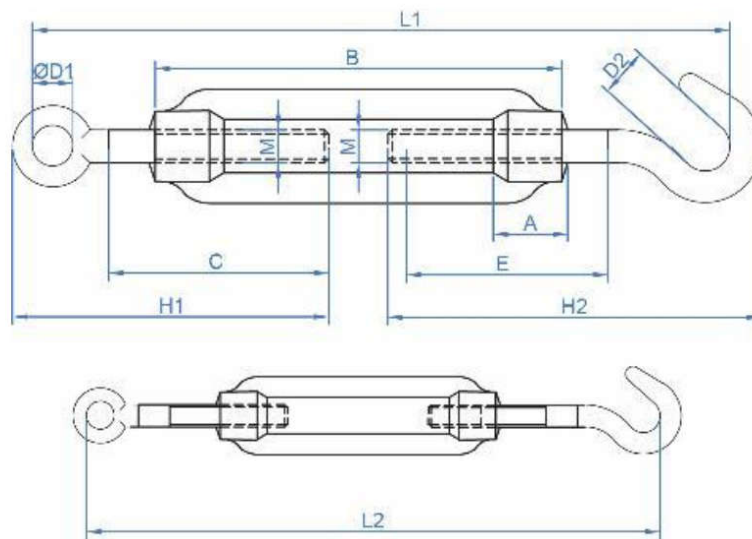
Cable tensioner made up of a ring and a hook, made from forged steel with an electrolytic steel plating.

One of the elements will be threaded on the left and the other on the right. The tensioners will have the metric marked and an "L" if it turns to the left.

The accessory will provide tension by rotating the body of the tensioner until the desired tension is reached.

The tensioners will be chosen according to the eyelet diameter and the load that they have to bear. It is always advisable for the tensioner to work in a straight line or under traction to ensure correct operation.

## 2- Product dimensions and WLL loads



M	A	B	C	D1	D2	E	H1	H2	L1	L2	WLL
M5	10	70	35	9	8	35	57	63	115	165	50
M6	12	110	50	9	8	55	74	76	155	235	75
M8	15	110	52	10	10.5	57	80	89	160	240	165
M10	18	125	60	14	13	68	97	103	200	270	235
M12	21	125	67	16	16	70	106	121	205	270	320
M14	24	140	83	18	18	75	126	144	245	330	420
M16	27	170	97	22	20	188	160	172	285	390	530
M20	34	200	116	24	21	105	190	185	315	425	730
M22	36	220	120	28	24	118	200	216	330	450	1120
M24	39	255	125	28	26	135	210	225	405	570	1550
M30	45	255	150	31	34	135	240	250	450	595	2240
M36	55	295	160	38	46	160	276	284	516	676	3530