

# Technical data sheet

<b>Title</b>	Hook/hook tensioner
<b>Standard</b>	DIN 1480

## 1.- Purpose and field of application.

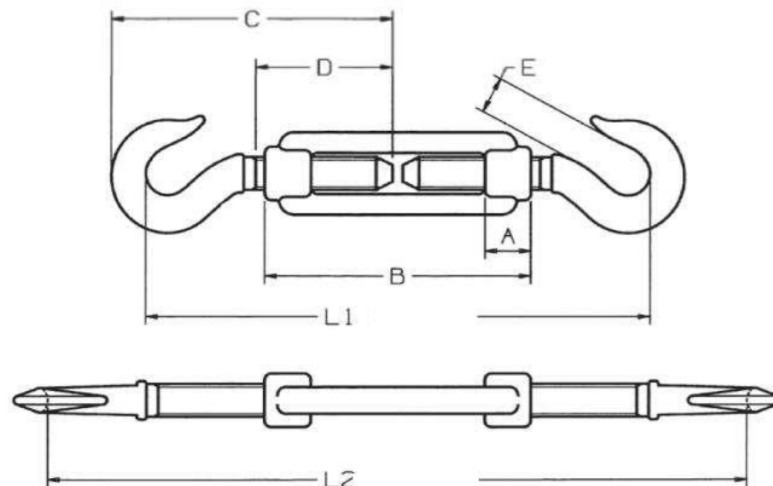
Cable tensioner comprising a hook and another hook, made from forged steel with zinc electroplating.

One of the elements will be threaded on the left and the other on the right. The tensioners will have the metric marked and an "L" if they turn to the left.

The accessory will provide tension by rotating the body of the tensioner until the desired tension is reached.

The tensioners will be chosen according to the hook housing and the load that they have to bear. It is always advisable for the tensioner to work in a straight line or under traction to ensure correct operation.

## 2. Product dimensions and WLL loads



M	A	B	E	D	C	L1	L2	WLL
M5	10	70	8	35	57	110	160	50
M6	12	110	8	55	76	155	235	75
M8	15	110	10.5	57	89	160	240	165
M10	18	125	13	68	103	200	270	235
M12	21	125	16	70	121	205	270	320
M14	24	140	18	75	144	245	330	420
M16	27	170	20	188	172	285	390	530
M20	34	200	21	105	185	315	425	730
M22	36	220	24	118	216	330	450	1120
M24	39	255	26	135	225	405	570	1550
M30	45	255	34	135	250	450	595	2240
M36	55	295	46	160	284	516	676	3530