

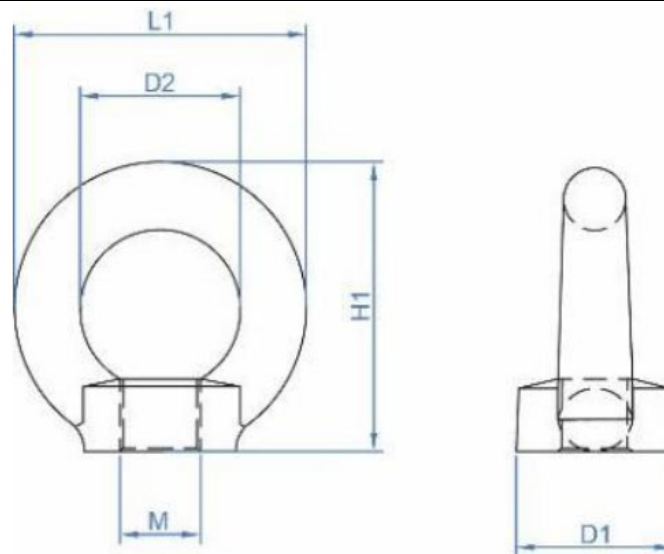
# Technical data sheet

|              |             |
|--------------|-------------|
| <b>Title</b> | Female ring |
|--------------|-------------|

## 1- Product description.

Forged steel female ring with zinc and stainless steel coating.

## 2- Product dimensions.



| CABLE<br>Ø | M   | L1  | D1 | D2 | H1  |
|------------|-----|-----|----|----|-----|
| 20         | M6  | 36  | 20 | 20 | 36  |
| 20         | M8  | 36  | 20 | 20 | 36  |
| 25         | M10 | 45  | 25 | 25 | 45  |
| 30         | M12 | 54  | 30 | 30 | 53  |
| 30         | M14 | 54  | 30 | 30 | 53  |
| 35         | M16 | 63  | 35 | 35 | 62  |
| 35         | M18 | 63  | 35 | 35 | 62  |
| 40         | M20 | 72  | 40 | 40 | 71  |
| 45         | M22 | 72  | 40 | 40 | 71  |
| 50         | M24 | 90  | 50 | 50 | 90  |
| 60         | M30 | 108 | 65 | 60 | 109 |
| 70         | M36 | 126 | 75 | 70 | 128 |

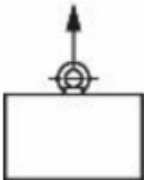
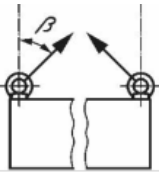
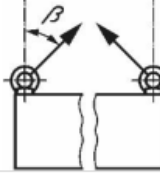
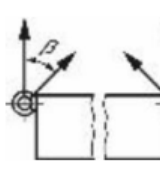
### 3- Recommendations.

The ring must be checked before every use in order to ensure that it is not damaged. If there is any damage, such as cracks or deformations, it must be replaced.

The ring that is capable of supporting the load must always been selected (see table of loads).

Rings must not be loaded sideways.

### 4- Loads.

| CABLE | METRIC | Axial load capacity per ring (WLL)<br>Load capacity                               | Load capacity per ring (WLL)<br>$0^\circ < \beta \leq 45^\circ$                   | Load capacity per ring (WLL)<br>$\beta > 45^\circ - 60^\circ$                      | Load capacity per ring (WLL)<br>$0^\circ \leq \beta \leq 45^\circ$                  |
|-------|--------|---|---|--|---|
|       |        |  |  |  |  |
| 20    | M6     | 75  | 55  | 38   |   |
| 20    | M8     | 140   | 100   | 70   |   |
| 25    | M10    | 230   | 170   | 115  |   |
| 30    | M12    | 340   | 240   | 170  |   |
| 35    | M14    | 490   | 350   | 245  |   |
| 35    | M16    | 700   | 500   | 350  |   |
| 40    | M18    | 850   | 600   | 425  |   |
| 40    | M20    | 1200  | 860   | 600  |   |
| 45    | M22    | 1400  | 1000  | 700  |   |
| 50    | M24    | 1800  | 1290  | 900  |   |
| 60    | M30    | 3200  | 2300  | 1600   |   |
| 70    | M36    | 4600  | 3300  | 2300   |   |