

Technical data sheet

Title	Allen embedded nut
--------------	--------------------

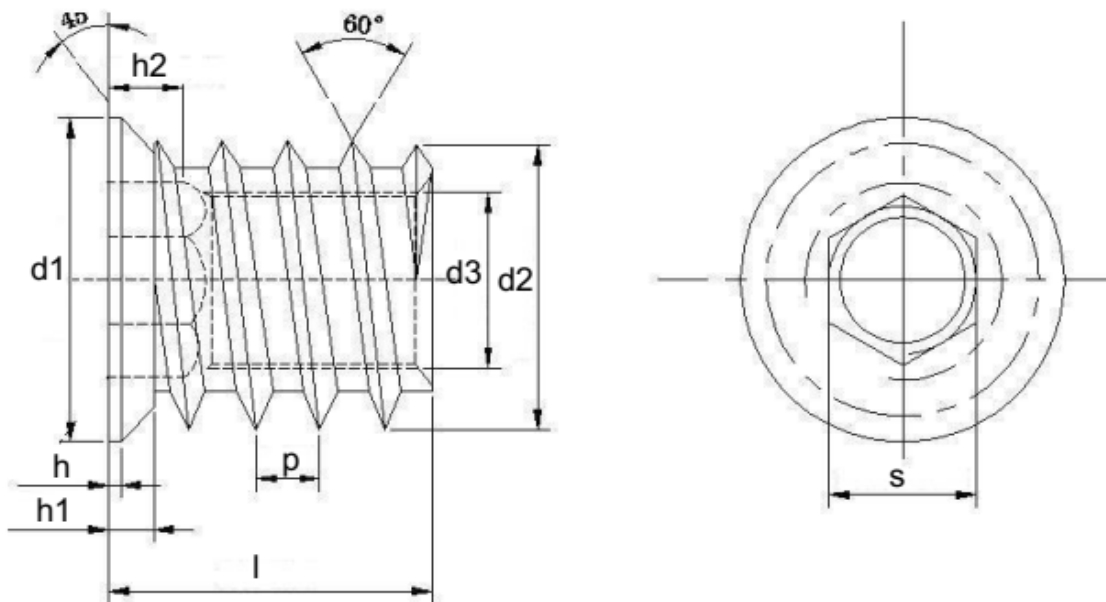
1- Product description.

Carbon steel nut with zinc plating.

Its use is recommended for applications in wood.

The purpose of this nut is to create a secure and stable joint.

2- Product dimensions.



	d_1 (± 0.5)	d_2 (± 0.2)	d_3	p	L (± 0.5)	S (± 0.3)	h	h_1 (± 0.3)	h_2 (± 0.2)
6X013	12	10.5	M6X1.0	2.54	13	6	0.5	2	3.3
6X015	12	10.5	M6X1.0	2.54	15	6	0.5	2	3.3
6X020	12	10.5	M6X1.0	2.54	20	6	0.5	2	3.3
8X015	14	12.5	M8X1.25	2.54	15	8	0.5	2	3.5
8X020	14	12.5	M8X1.25	2.54	20	8	0.5	2	3.5