

# Technical data sheet

<b>Title</b>	T-shaped drive nut
--------------	--------------------

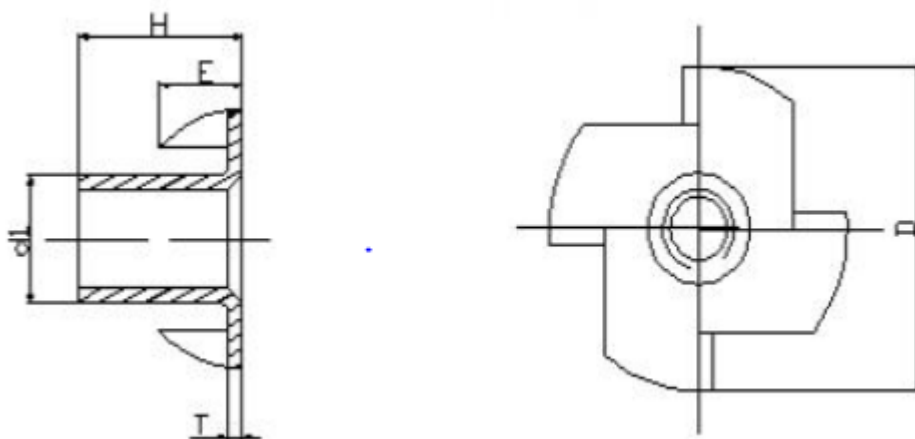
## 1- Product description.

Carbon steel nut with zinc plating.

Its use is recommended for applications in wood.

After fitting, they leave a level surface, with their tips driven into the workpiece.

## 2- Product dimensions.



SIZE	d1 (+/-0.3)	E (+/-0.5)	D (+/-0.3)	T (+/-0.15)	H (+/-0.3)
<b>M4X8</b>	5.3	4.8	15	1	8
<b>M5X8</b>	6.1	6	17	1.1	8
<b>M6X10</b>	7.5	6.5	19	1.3	10
<b>M8X11</b>	9.2	7.5	22.1	1.4	11
<b>M10X13</b>	11.2	8.5	25	1.5	13