

# Technical data sheet

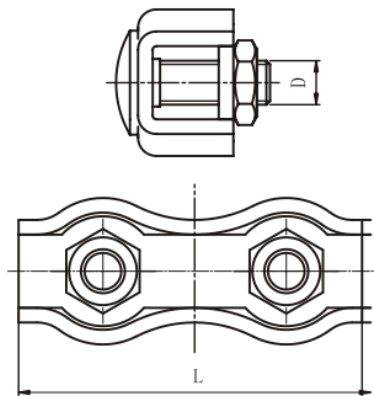
<b>Title</b>	Duplex wire rope clip.
--------------	------------------------

## 1.- Purpose and field of application.

Cable clips are assemblies made of galvanised steel comprising a body with two threaded rods and two washers with nuts.

This assembly allows the joining of two cables when the nut is tightened. They are also used to suspend loads.

## 2. Dimensions.



SIZE	L	D
	nom	Nom
2	37	M4
3	40	M4
4	43	M5
5	52	M5
6	60	M6
8	72	M8
10	84	M10

## 3- Installation and recommendations

Inspection of the clips is advisable before every use to ensure that:

- The body is not bent.
- There is no wear nor defects in the material.

Not recommended for use with spiral cables.